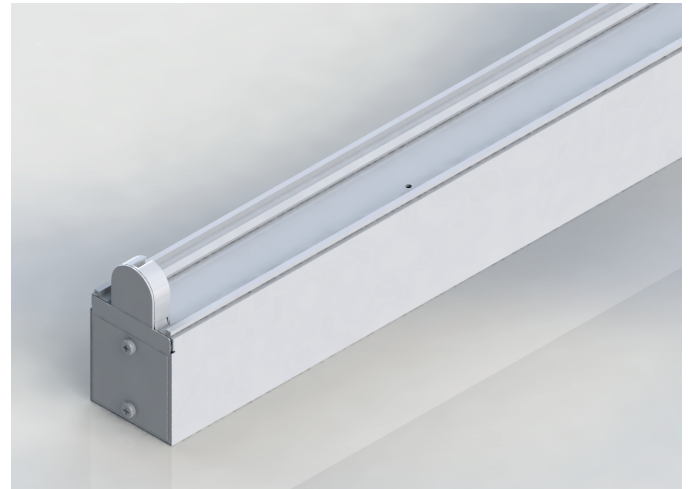


LED PRIME BATTEN FITTING

PRODUCT DESCRIPTION

The new Prime range of LED battens are an ideal solution for indoor commercial and industrial applications. Designed specifically for LED, their solid exterior and high transmittance, low glare diffuser provides great performance and light distribution for all internal applications. The Prime range is suitable for ceiling and wall mounting. Large terminal block and 3 cores cabling system for easy installation.



AREAS OF APPLICATION

- Airport, Transit terminal
- Wide spectrum of applications
- Factory, assembly lines
- Hypermarkets
- Warehouses
- Clean room (Class 100 - 100K)

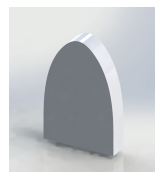
HIGHLIGHTS

- All parts are fabricated by high grade material
- Comes with AC main through wiring set
- Comes with G13 lamp holder
- Tear drop cover is optional
- Emergency backup power pack is optional
- LED Yellow Tube is optional
- Complies with IEC 60598
- IP20
- Class 1

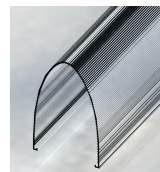
CERTIFICATIONS

- CE
- RoHS

ACCESSORIES



End Cap



Tear Drop Cover



Through Wiring Set

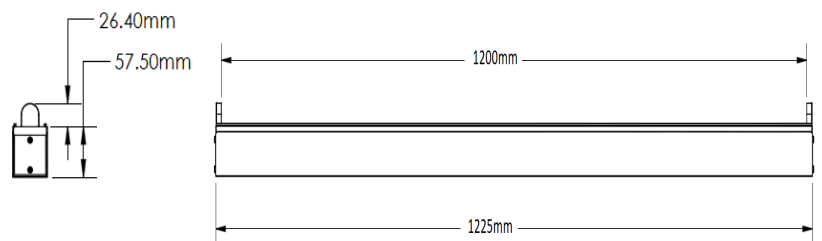


Power Pack Set



LED Yellow Tube

TECHNICAL DRAWING



Tolerance: $\pm 2.5\text{mm}$

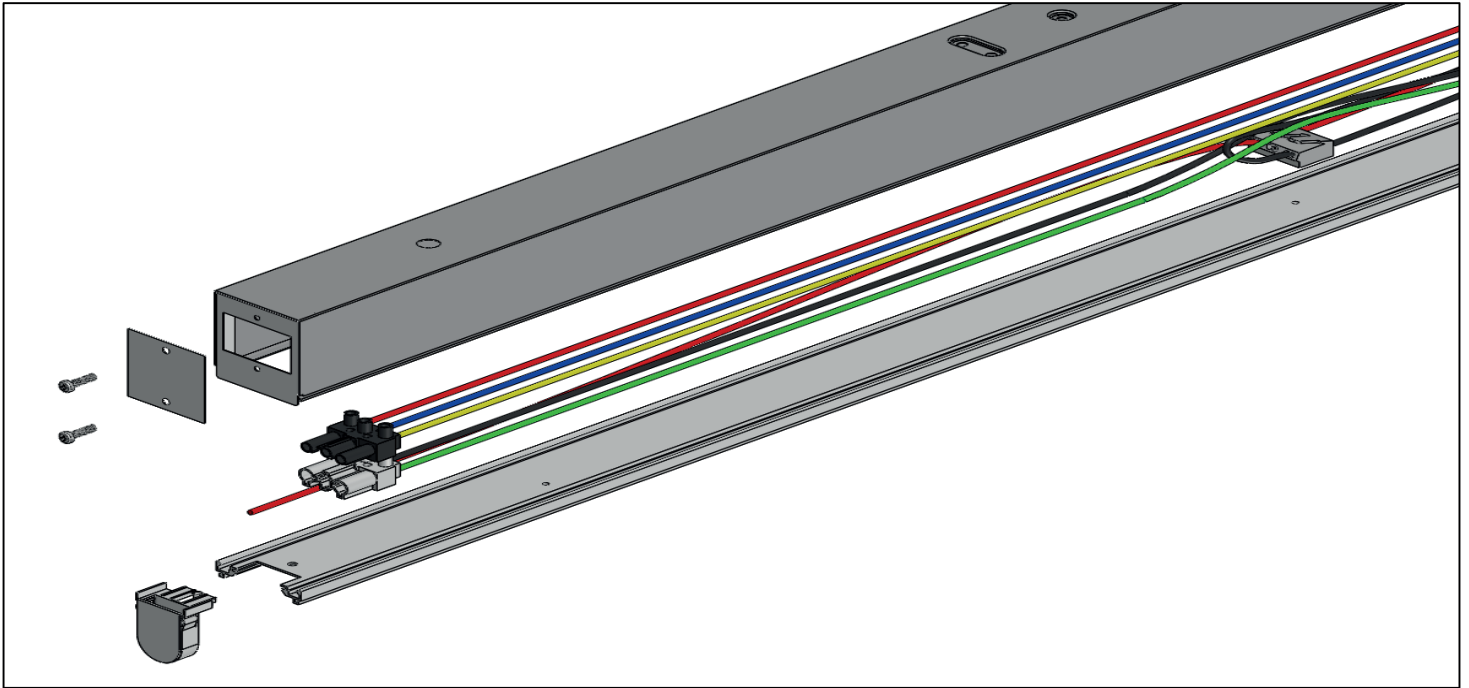
TECHNICAL SPECIFICATIONS

Suitable Lamp Type	Lamp Holder	IP	Cover	Finishing	Dimension	Voltage	AC Through Wiring Circuit	Article Number
LED T8 Tube	G13 Bi-Pin	20	No	White	1225mm x 83.9mm	100-240V	Single Phase	H6-PRM-ZU-68N00C
LED T8 Tube	G13 Bi-Pin	20	No	White	1225mm x 83.9mm	100-240V	Three Phase	H6-PRM-ZU-69N00C

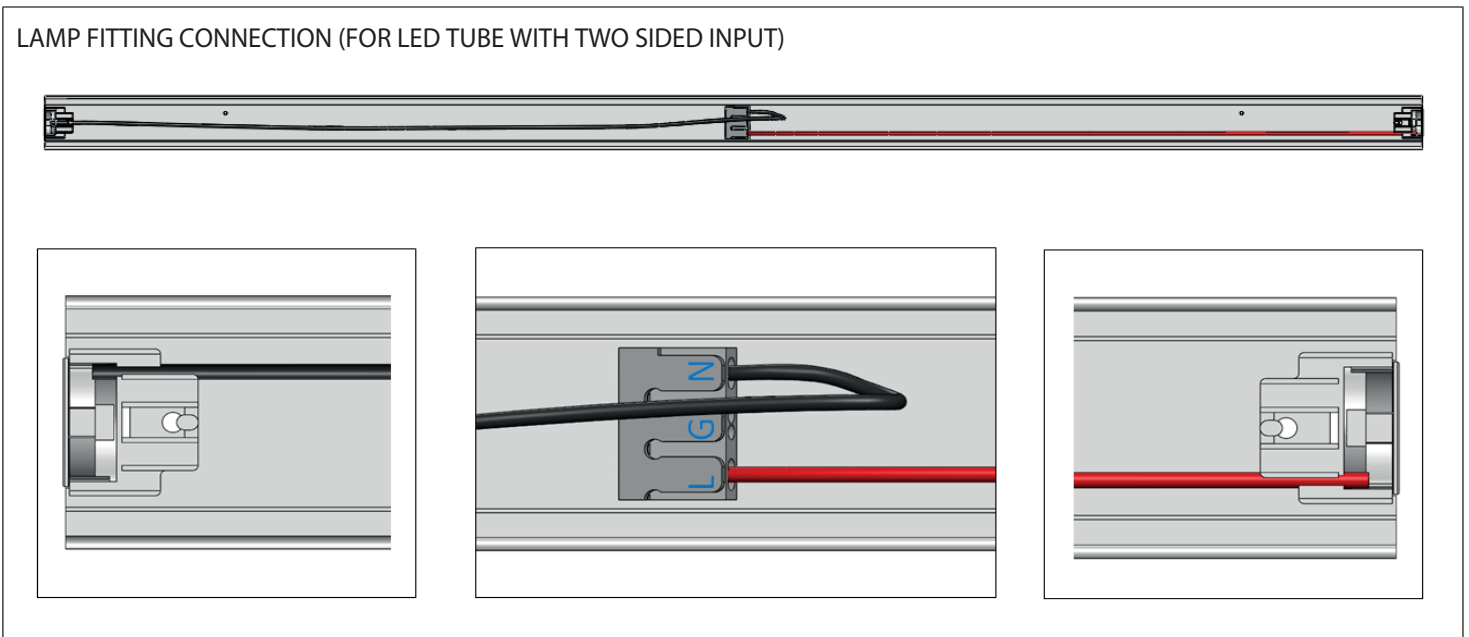
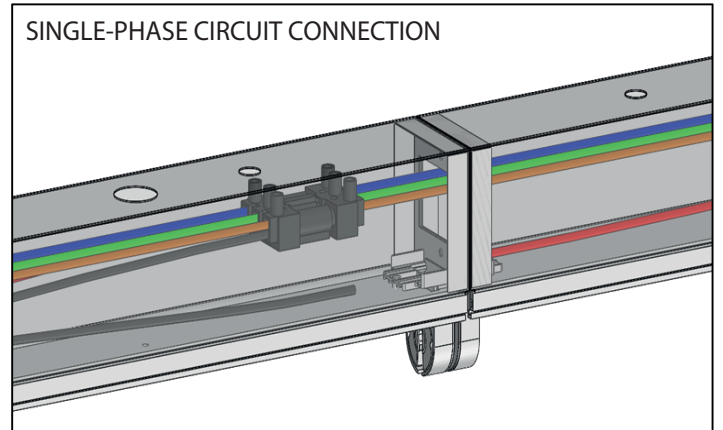
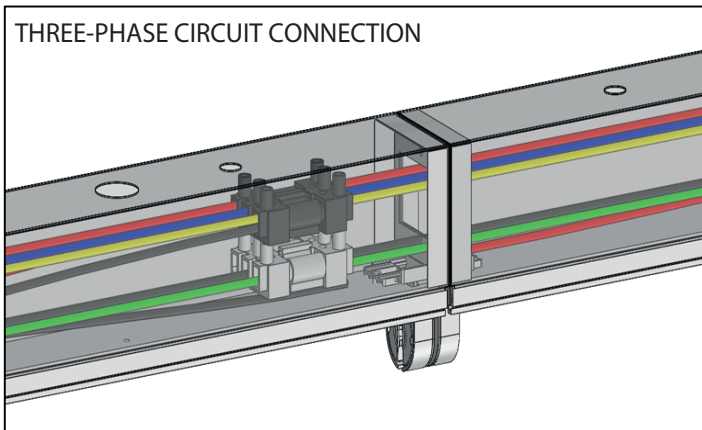
Note :

All measurement datas are subjected to 10% tolerance due to measurement equipment tolerance and accuracy
All product specifications are subject to change without prior notice

EXPLOSION VIEW DIAGRAM



WIRE CONNECTION DIAGRAM



Note :
 All the wiring connections can be made according to customer's requirement