

LED HIGHBAY REXY

LED HIGHBAY REXY comes in a completely different design compared with our traditional High Bay Rondo. This version adopts qualified super bright LED as light source, which is stable, long life and no UV & IR emission. The aluminum housing is specially designed to cater for stylish and fashionable look and excellent heat management.

All RONDO HIGHBAY REXY versions comes with latest driver technology that has low voltage constant current driver, which is safe to use, energy saving and long life.



SPECIFICATIONS

- System Power : 120W & 230W
- Beam Angles : 50°, 80°, 30°*100°, 60°*145° & 145°*145°
- CCT : 3000K, 4000K & 5700K
- IP Rating : IP65
- IK Rating : IK10

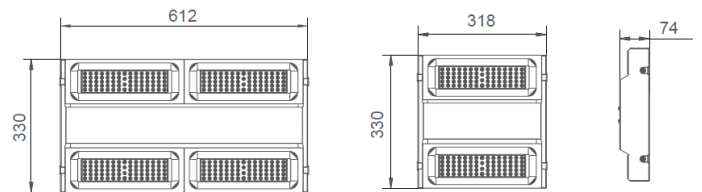
HIGHLIGHTS

- High reduction in power consumption
- Low maintenance costs by reducing re-lamp frequency
- LED life span at 50,000 hrs @ L80B30
- Instant-on light
- Easy and various installation styles

CERTIFICATIONS

- CE
- RoHS

TECHNICAL SPECIFICATIONS



Tolerance: ±2.5mm

System Power	CCT	Beam Angle	Light Output	CRI	Power Factor	IP/IK Rating	Net Weight (kg)	Voltage	Dimensions (L x W x H mm)	Art-No.
120W	3000K / 4000K / 5700K	50°/80°/30°*100°/ 60°*145° / 145°*145°	15000	70	>0.90	65 / 10	3.35	220-265V	318 x 330 x 74	HF-H3-HNP-RxJyCC
230W	3000K / 4000K / 5700K	50°/80°/30°*100°/ 60°*145° / 145°*145°	30000	70	>0.90	65 / 10	5.65	220-265V	612 x 330 x 74	HF-H3-DNU-RxJyCC

Option:

x : Colour y : Beam angle
M= 3000K N= 50° , L= 80°
H= 4000K P= 30° x 100° , Q= 60° x 145° , R= 145° x 145°
G= 6500K

* Instant light up < 1 second.

* Not suitable for accent lighting.

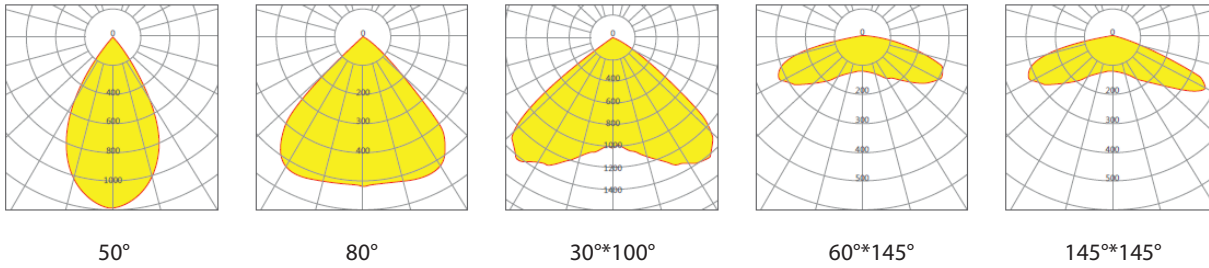
* All measurement data subjected to 10% tolerance due to measurement equipment tolerance and accuracy.

* Lumen maintenance factor : L80

** Product specification subjects to change without prior notice.

LED HIGHBAY REXY

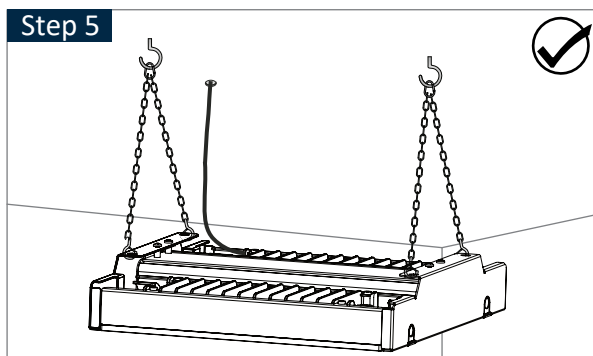
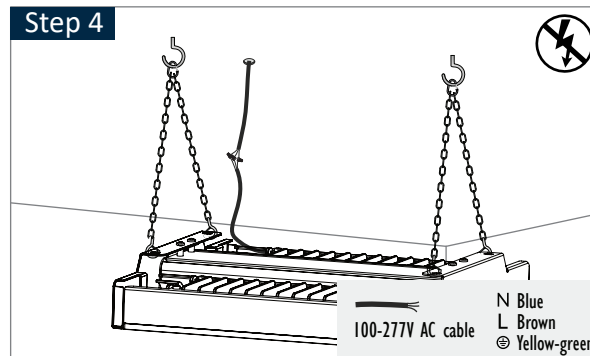
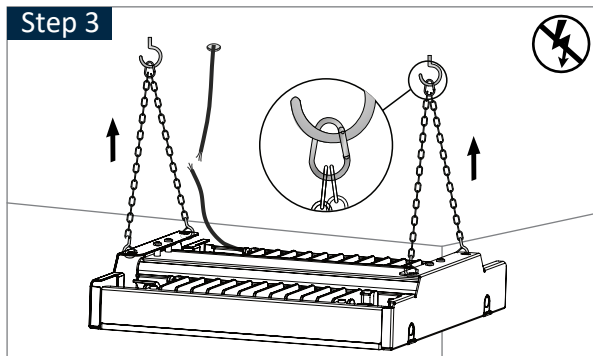
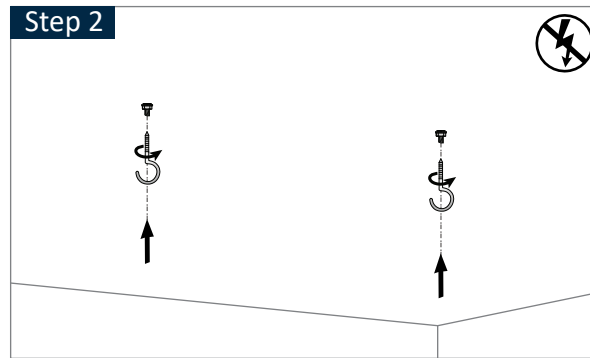
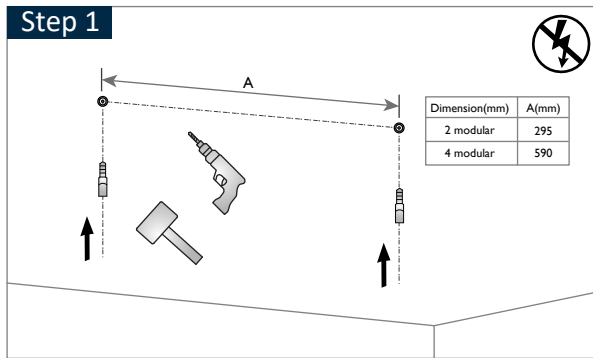
RADIATION PATTERN



MOUNTING INSTRUCTION

2 modular

4 modular



** Product specification subjects to change without prior notice.