

LED HIGH BAY RONDO HCP

LED HIGH BAY RONDO HCP comes in a completely different design compared with our traditional High Bay Rondo. This version adopts qualified super bright LED as light source, which is stable, long life and no UV & IR emission. The aluminum housing is specially designed to cater for stylish and fashionable look and excellent heat management.

All RONDO HCP versions comes with latest driver technology that has low voltage constant current driver, which is safe to use, energy saving and long life.



SPECIFICATIONS

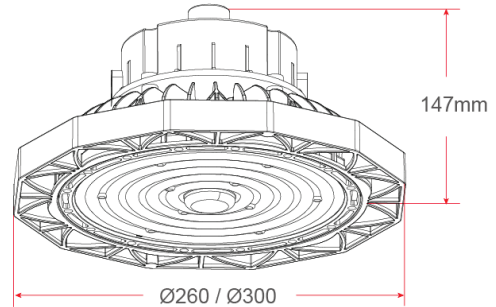
- System Power : 100W, 150W, 200W
- Beam Angles : 60°, 90° & 120°
- CCT : 3000K, 4000K & 5700K
- IP Rating : IP65
- IK Rating : IK10
- Colour : Black

HIGHLIGHTS

- High reduction in power consumption
- Low maintenance costs by reducing re-lamp frequency
- LED life span at 50,000 hrs @ L70B50
- Instant-on light
- Easy and various installation styles

CERTIFICATIONS

- CE
- RoHS



Tolerance: ±2.5mm

TECHNICAL SPECIFICATIONS

System Power	CCT	Beam Angle	Light Output	CRI	Power Factor	IP/IK Rating	Net Weight (kg)	Voltage	Dimensions (Dx H mm)	Art.-No.
100W	3000K / 4000K / 5700K	60°/ 90°/120°	13500	70	>0.90	65 / 10	3.20	220-265V	D260 x 147	HF-H4-KAC-SxMyCC
150W	3000K / 4000K / 5700K	60°/ 90°/120°	19500	70	>0.90	65 / 10	3.20	220-265V	D260 x 147	HF-H4-KAD-SxMyCC
200W	3000K / 4000K / 5700K	60°/ 90°/120°	26000	70	>0.90	65 / 10	3.85	220-265V	D300 x 147	HF-H4-HAU-SxMyCC

Option:

x: Colour	y: Beam angle
M= 3000K	F= 60°
H= 4000K	G= 90°
N= 5700K	H= 120°

* Instant light up < 1 second.

* Not suitable for accent lighting.

* All measurement data subjected to 10% tolerance due to measurement equipment tolerance and accuracy.

* Lumen maintenance factor : L70

** Product specification subjects to change without prior notice.