

LED UNDERWATER LIGHT ENOLA SERIES

Lichtechnic Underwater Light ENOLA product series is a high-performance light fixture utilising LED technology. The durable 316 marine grade stainless steel housing and long life LED are an ideal combination. The use of LEDs allows for the creative introduction of colour and improved energy efficiency.

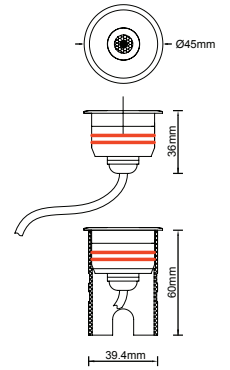
A simple and robust design allows for easy luminaire installation and there is virtually no need for maintenance. It has the added advantage of being supplied factory sealed, with no requirement to open the luminaire during installation. This luminaire can operate in very shallow water.

It is a powerful LED fixture with exceptional light output and is available in a wide variety of optical configurations including narrow spot and bi-symmetrical distributions. The luminaire has a wide variety of colour temperatures and is ideally suited for the underwater environment.



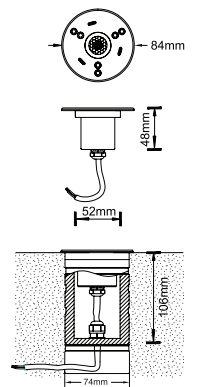
DB-MA-HNd-AzxyAB

1.5W POWER	SMD LED LED TYPE
2700K RED 3000K GREEN 4000K BLUE 6000K AMBER COLOR	15°, 25°, 38°, 45°, 60°, 120° BEAM ANGLE
12V/24V INPUT VOLTAGE	IP68 IK06 RATING
SS 316 TRIM	CE RoHS COMPLIANCES



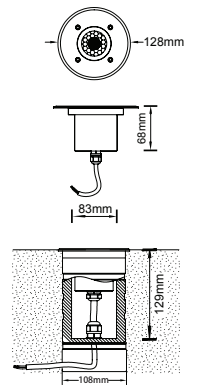
DB-NA-3HL-ADxyBE /
DB-NA-3He-ADxyBE

5W/7W POWER	COB LED LED TYPE
2700K BLUE 3000K 4000K 6000K COLOR	25°, 40° BEAM ANGLE
12V INPUT VOLTAGE	IP68 IK09 RATING
SS 316 TRIM	CE RoHS COMPLIANCES



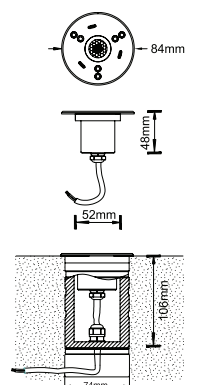
DB-NA-AVd-ADxRBE /
DB-NA-AVR-ADxRBE

12W/18W POWER	COB LED LED TYPE
2700K 3000K 4000K 6000K COLOR	30° BEAM ANGLE
12V INPUT VOLTAGE	IP68 IK09 RATING
SS 316 TRIM	CE RoHS COMPLIANCES



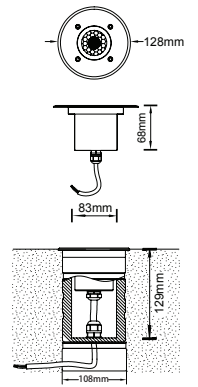
DB-NA-3HM-ADNyAB

9W POWER	SMD LED LED TYPE
RGB COLOR	25°, 40° BEAM ANGLE
12V INPUT VOLTAGE	IP68 IK09 RATING
SS 316 TRIM	CE RoHS COMPLIANCES



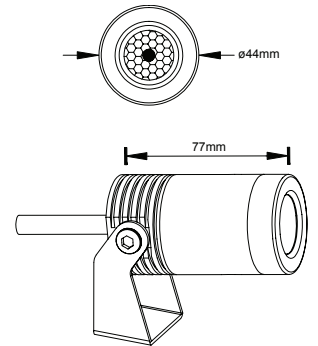
18W POWER	SMD LED LED TYPE
3000K 4000K 6000K RGB / RGBW	30° BEAM ANGLE
12V INPUT VOLTAGE	IP68 IK09 RATING
SS 316 TRIM	CE COMPLIANCES

DB-NA-aVR-ADNRAB /
 DB-NA-aVR-ADxRAB



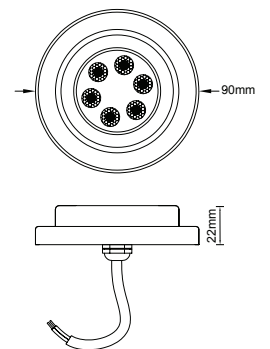
5W POWER	COB LED LED TYPE
2700K 3000K 4000K 6000K COLOR	15°, 25° BEAM ANGLE
12V INPUT VOLTAGE	IP68 IK04 RATING
SS 316 TRIM	CE COMPLIANCES

DB-PA-HDL-ADxyAB



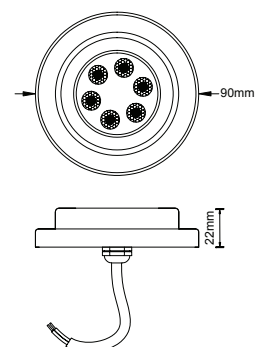
6W POWER	SMD LED LED TYPE
2700K 3000K 4000K 6000K COLOR	15°, 25°, 40° BEAM ANGLE
12V INPUT VOLTAGE	IP68 IK07 RATING
SS 316 TRIM	CE COMPLIANCES

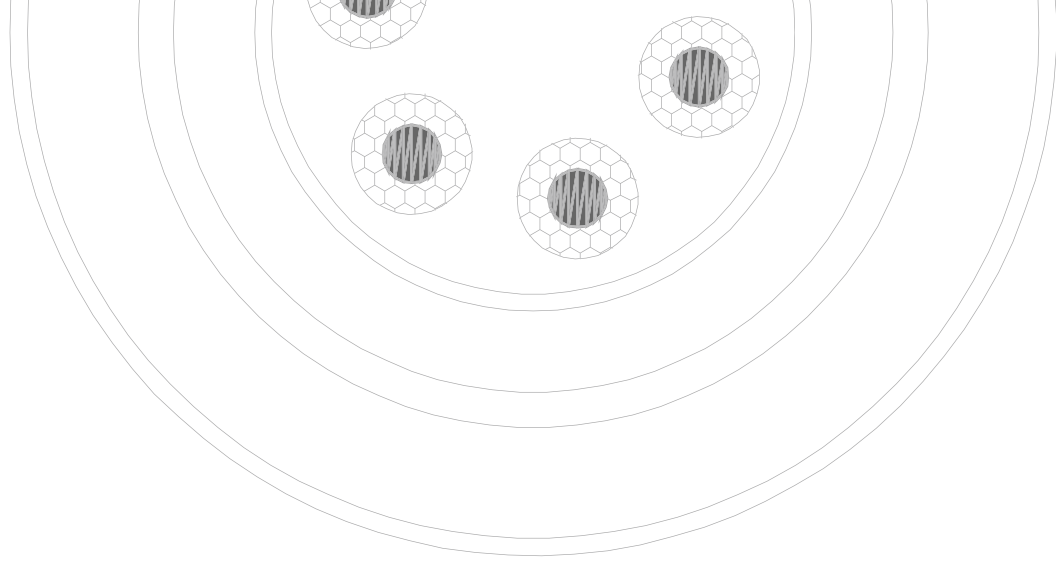
DB-QA-U2J-ADxyAB



6W POWER	SMD LED LED TYPE
RGB	15°, 25°, 40° BEAM ANGLE
12V INPUT VOLTAGE	IP68 IK07 RATING
SS 316 TRIM	CE COMPLIANCES

DB-QA-U2J-ADNyAB





PRODUCT SPECIFICATION CODE

X : CCT	Y: Beam Angle	Z: Voltage
B=2700K	C=15°	C=24VDC
C=3000K	U=25°	D=12VDC
D=4000K	a=38°	
E=6000K	P=40°	
J=RED	T=45°	
K=GREEN	S=60°	
L=BLUE	m=120°	
V=AMBER		
T=RGB + 3000K		
W= RGB + 4000K		
S= RGB + 6000K		

