



Features

- 1W LED Dot Starion 1W
- Aluminium housing with plastic cover (Frosted Dome/Flat Clear)
- BA120°(Flat Clear), BA160° (Frosted Dome)
- DMX512 control system to achieve gradual, transition, blinking and other dynamic effects

Highlights

- High brightness with robust design
- Backlit for billboards, signage and advertisement light boxes
- Fully-customizable solution for creative and demanding media projects
- Flexible mounting capability for challenging surfaces
- Field installation friendly and cost effective

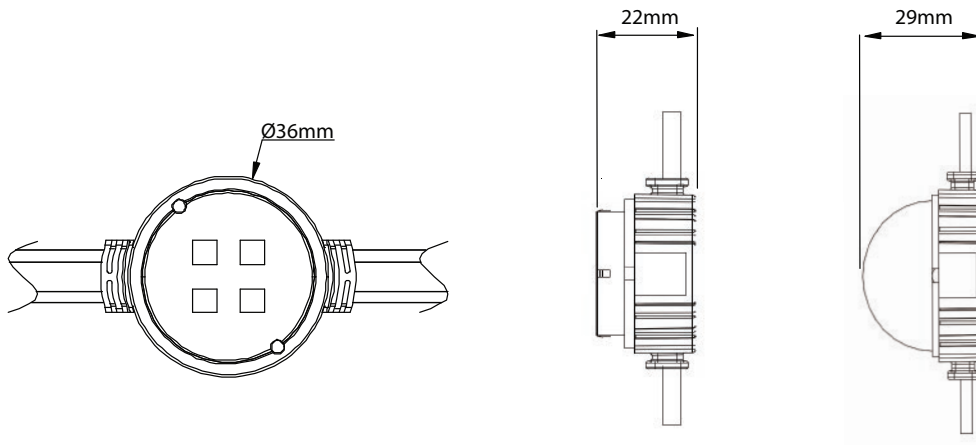
Technical Specifications

Product Name		AB-AT2-DA-FxyAz1
Picture/ display	LED type	SMD
	Beam angle	120/160°
	Color	RGB/2200/3000/6500K
Environmental	Operating temperature	-20°C to +45°C
	Operating humidity range	0% - 90% RH
	Ingress protection	IP66
	LED lifetime	50,000 hrs
Power	Mains input	DC15V
	Power consumption maximum	1W
Physical	Housing	Aluminium
	Cover	Plastic
	Dimension	33 (dia.) x 28.7 (H)mm
Control	Control system	DMX512/Standard ON-OFF

* Options :
x : Control system **y** : Color **z** : Beam angle
 A= DMX512 5= 2200K, U= 3000K, V= 4000K, H= Red A= 160° (Milky Dome), B= 120° (Flat Clear)
 C= Standard J= Green, I= Blue, K= Yellow, N= RGB

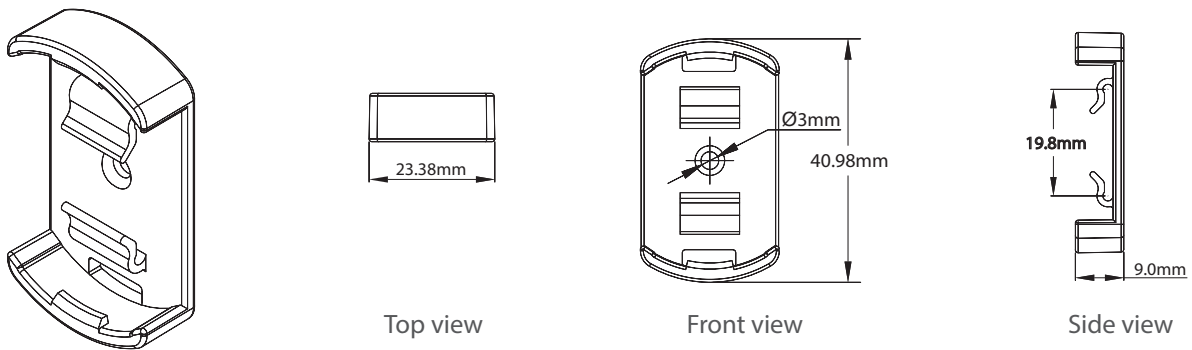
Technical Drawing

Unit : mm



Tolerance for dimension = $\pm 2.5\text{mm}$

Accessories - Mounting Clip



Tolerance for dimensions = $\pm 2.5\text{mm}$

All specifications are subjected to change without notice.