

# LED WALL LIGHT LITO SERIES

The LED Wall Light LITO product series is a high-performance light fixture utilising LED technology. The durable high grade material metal housing and long life LED are an ideal combination. The use of LEDs allows for the creative introduction of colour and improved energy efficiency.

A simple and robust design allows for easy luminaire installation and there is virtually no need for maintenance. It has the added advantage of being supplied factory sealed, with no requirement to open the luminaire during installation. This luminaire can operate in high humidity or wet location.

It is a powerful LED fixture with exceptional light output and is available in a wide variety of optical configurations . The luminaire has a wide variety of colour temperatures and ideally suited for the landscape application.



**4W**  
POWER

**SMD LED**  
LED TYPE

2700K  
3000K  
4000K  
6000K  
CCT

**120°**  
BEAM ANGLE

**100 - 245V**  
INPUT VOLTAGE

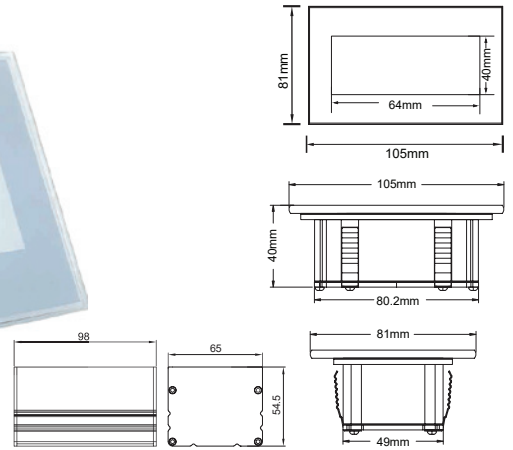
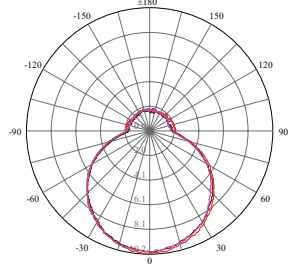
**IP65 IK06**  
RATING

TEMPERED GLASS / AL  
TRIM / HOUSING

**CE**  
RoHS  
COMPLIANCES

**DE-TB-FEF-AE x KCB**

Light Distribution Curve [Unit: cd]



**8W**  
POWER

**SMD LED**  
LED TYPE

2700K  
3000K  
4000K  
6000K  
CCT

**120°**  
BEAM ANGLE

**100 - 245V**  
INPUT VOLTAGE

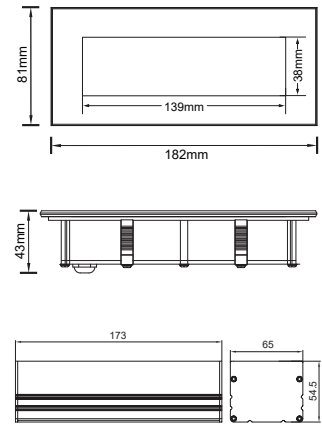
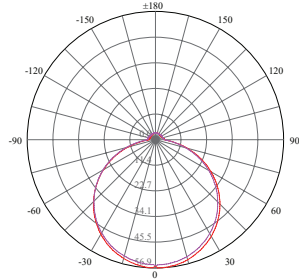
**IP65 IK06**  
RATING

TEMPERED GLASS / AL  
TRIM / HOUSING

**CE**  
RoHS  
COMPLIANCES

**DE-TB-1EE-AE x KCB**

Light Distribution Curve [Unit: cd]



**4W**  
POWER

**SMD LED**  
LED TYPE

2700K  
3000K  
4000K  
6000K  
CCT

**120°**  
BEAM ANGLE

**100 - 245V**  
INPUT VOLTAGE

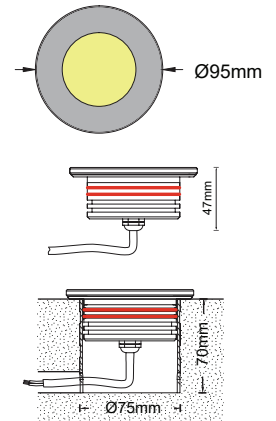
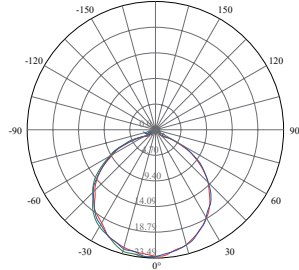
**IP65 IK06**  
RATING

TEMPERED GLASS / AL  
TRIM / HOUSING

**CE**  
RoHS  
COMPLIANCES

**DE-TB-UHF-AE x KCC**

Light Distribution Curve [Unit: cd]



**3W**  
POWER

**SMD LED**  
LED TYPE

2700K  
3000K  
4000K  
6000K  
CCT

**45°x120°**  
BEAM ANGLE

**100 - 245V**  
INPUT VOLTAGE

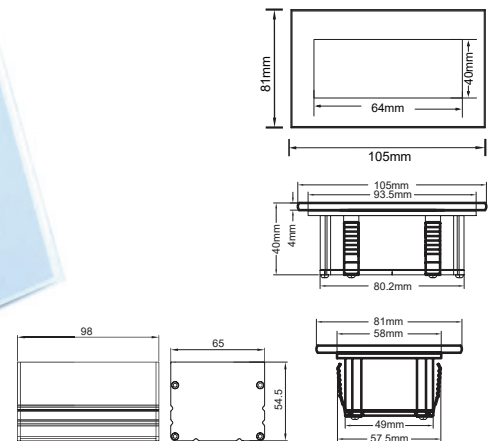
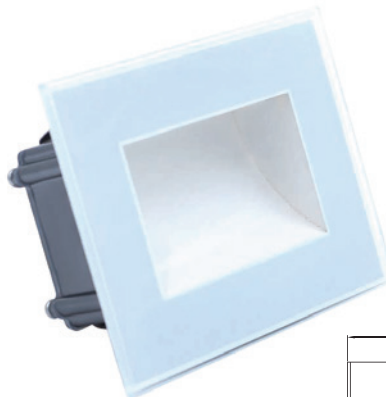
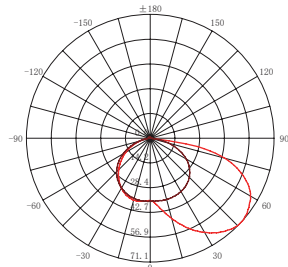
**IP65 IK06**  
RATING

TEMPERED GLASS / AL  
TRIM / HOUSING

**CE**  
RoHS  
COMPLIANCES

**DE-TB-FEB-AE x A1CB**

Light Distribution Curve [Unit: cd]



**5W**  
POWER

**SMD LED**  
LED TYPE

2700K  
3000K  
4000K  
6000K  
CCT

**120°**  
BEAM ANGLE

**100 - 245V**  
INPUT VOLTAGE

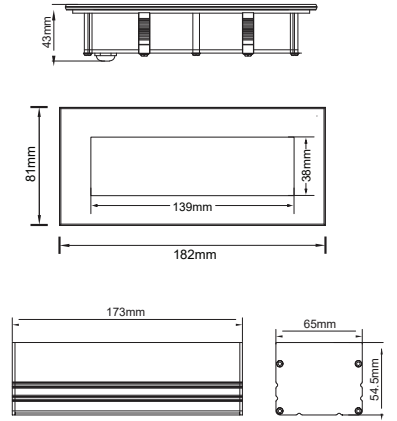
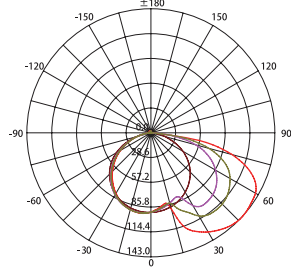
**IP65 IK06**  
RATING

TEMPERED GLASS / AL  
TRIM / HOUSING

**CE**  
RoHS  
COMPLIANCES

**DE-TB-1EL-AE×KCB**

Light Distribution Curve [Unit: cd]



**5W**  
POWER

**SMD LED**  
LED TYPE

2700K (RED)  
3000K (GREEN)  
4000K (YELLOW)  
6000K (BLUE)  
CCT

**120°**  
BEAM ANGLE

**24V**  
INPUT VOLTAGE

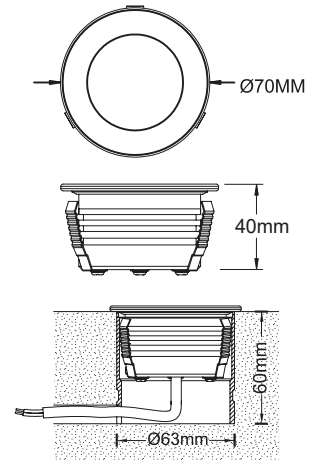
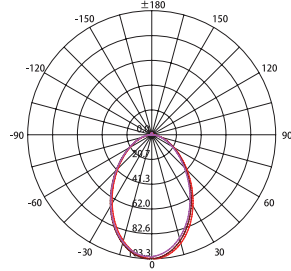
**IP65 IK06**  
RATING

TEMPERED GLASS / AL  
TRIM / HOUSING

**CE**  
RoHS  
COMPLIANCES

**DE-TB-bCL-AC×KCD**

Light Distribution Curve [Unit: cd]



**10W**  
POWER

**SMD LED**  
LED TYPE

2700K (RED)  
3000K (GREEN)  
4000K (YELLOW)  
6000K (BLUE)  
CCT

**120°**  
BEAM ANGLE

**12V**  
INPUT VOLTAGE

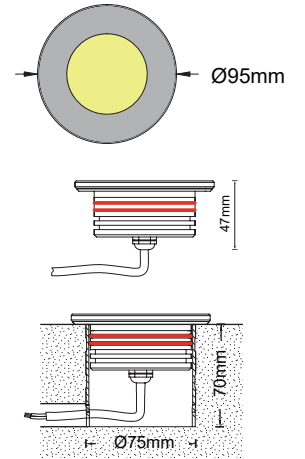
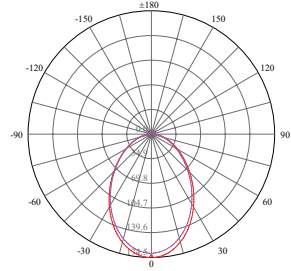
**IP65 IK06**  
RATING

TEMPERED GLASS / AL  
TRIM / HOUSING

**CE**  
RoHS  
COMPLIANCES

**DE-TB-UHP-AD×KCD**

Light Distribution Curve [Unit: cd]



**10W**  
POWER

**SMD LED**  
LED TYPE

RGB

**120°**  
BEAM ANGLE

**12V**  
INPUT VOLTAGE

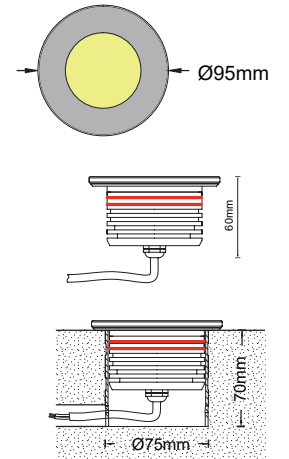
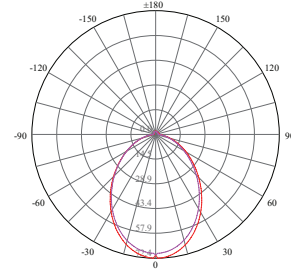
**IP65 IK06**  
RATING

TEMPERED GLASS / AL  
TRIM / HOUSING

**CE**  
RoHS  
COMPLIANCES

**DE-TB-UMP-ADNKCD**

Light Distribution Curve [Unit: cd]



**10W**  
POWER

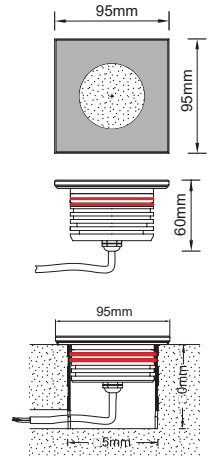
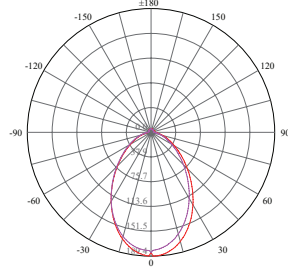
**SMD LED**  
LED TYPE

**DE-TB-UUP-AF<sub>x</sub>KCD**

2700K  
3000K  
4000K  
6000K  
CCT

**120°**  
BEAM ANGLE

Light Distribution Curve [Unit: cd]



TEMPERED GLASS / AL  
TRIM / HOUSING

**CE**  
RoHS  
COMPLIANCES

**5W**  
POWER

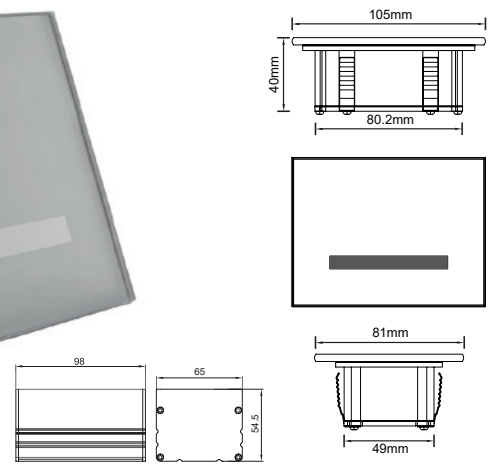
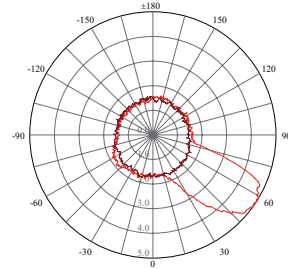
**SMD LED**  
LED TYPE

**DE-TB-FEL-AE<sub>x</sub>KCE**

2700K  
3000K  
4000K  
6000K  
CCT

**120°**  
BEAM ANGLE

Light Distribution Curve [Unit: cd]



**100 - 245V**  
INPUT VOLTAGE

**IP65 IK06**  
RATING

TEMPERED GLASS / AL  
TRIM / HOUSING

**CE**  
RoHS  
COMPLIANCES

**3W**  
POWER

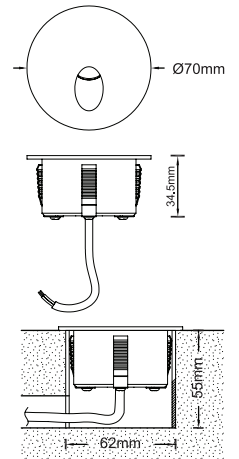
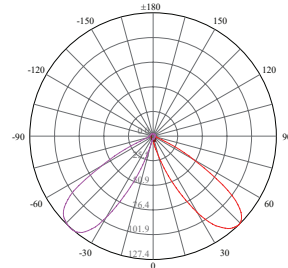
**SMD LED**  
LED TYPE

**DE-TB-bGB-Az<sub>x</sub>RCF**

2700K  
3000K  
4000K  
6000K  
CCT

**30°**  
BEAM ANGLE

Light Distribution Curve [Unit: cd]



**100 - 245V**  
INPUT VOLTAGE

**IP65 IK06**  
RATING

**AL**  
HOUSING

**CE**  
RoHS  
COMPLIANCES

**3W**  
POWER

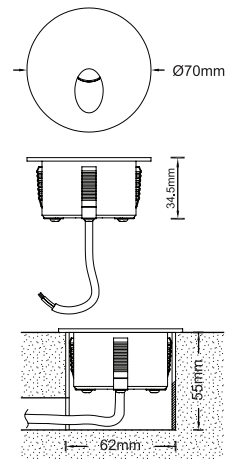
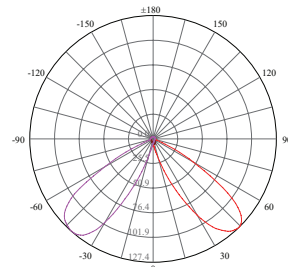
**SMD LED**  
LED TYPE

**DE-TB-bGB-Az<sub>x</sub>RCG**

2700K  
3000K  
4000K  
6000K  
CCT

**30°**  
BEAM ANGLE

Light Distribution Curve [Unit: cd]



**100 - 245V**  
INPUT VOLTAGE

**IP67 IK04**  
RATING

**AL**  
HOUSING

**CE**  
RoHS  
COMPLIANCES

**3W**  
POWER

**SMD LED**  
LED TYPE

2700K  
3000K  
4000K  
6000K  
CCT

**30°**  
BEAM ANGLE

**100 - 245V**  
INPUT VOLTAGE

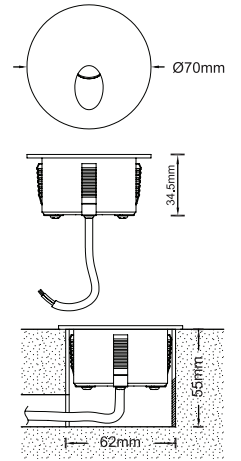
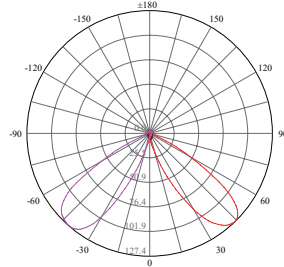
**IP67 IK04**  
RATING

**AL**  
HOUSING

**CE**  
RoHS  
COMPLIANCES

**DE-TB-bGB-AzRCB**

Light Distribution Curve [Unit: cd]



**3W**  
POWER

**SMD LED**  
LED TYPE

2700K  
3000K  
4000K  
6000K  
CCT

**30°**  
BEAM ANGLE

**100 - 245V**  
INPUT VOLTAGE

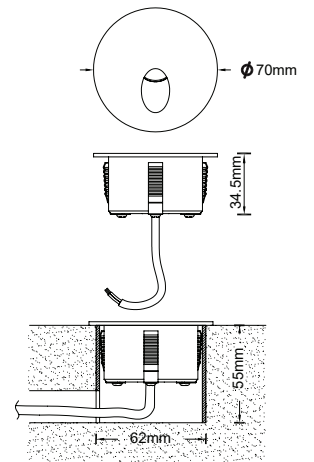
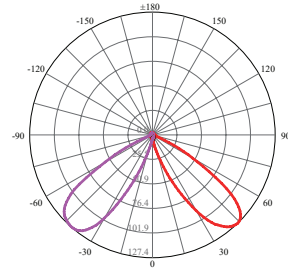
**IP65 IK06**  
RATING

**AL**  
HOUSING

**CE**  
RoHS  
COMPLIANCES

**DE-TB-bGB-AzRCE**

Light Distribution Curve [Unit: cd]



**3W**  
POWER

**SMD LED**  
LED TYPE

2700K  
3000K  
4000K  
6000K  
CCT

**30°**  
BEAM ANGLE

**100 - 245V**  
INPUT VOLTAGE

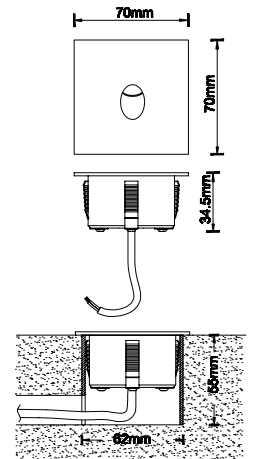
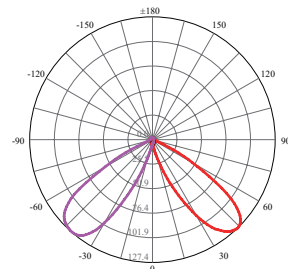
**IP65 IK06**  
RATING

**AL**  
HOUSING

**CE**  
RoHS  
COMPLIANCES

**DE-TB-bBB-AzRCB**

Light Distribution Curve [Unit: cd]



**3W**  
POWER

**SMD LED**  
LED TYPE

2700K  
3000K  
4000K  
6000K  
CCT

**30°**  
BEAM ANGLE

**100 - 245V**  
INPUT VOLTAGE

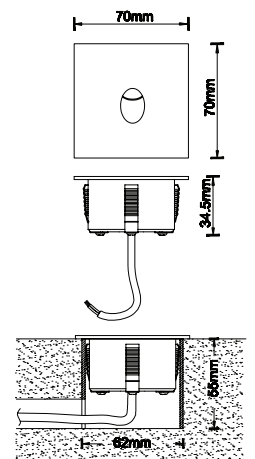
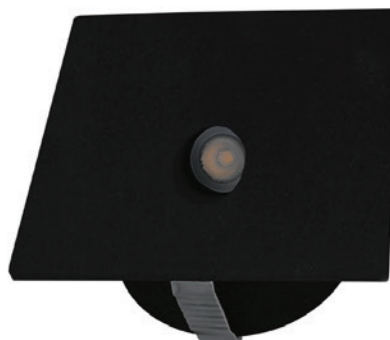
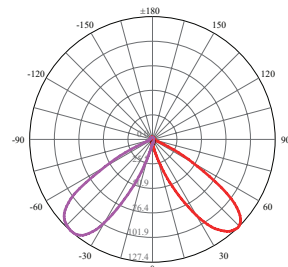
**IP65 IK06**  
RATING

**AL**  
HOUSING

**CE**  
RoHS  
COMPLIANCES

**DE-TB-bBB-AzRCE**

Light Distribution Curve [Unit: cd]



**3W**  
POWER

**SMD LED**  
LED TYPE

2700K  
3000K  
4000K  
6000K  
CCT

**30°**  
BEAM ANGLE

**100 - 245V**  
INPUT VOLTAGE

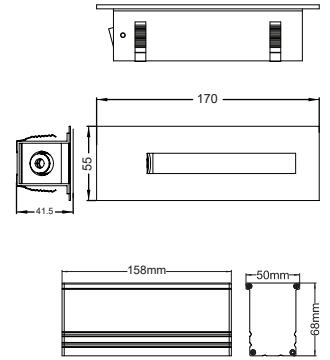
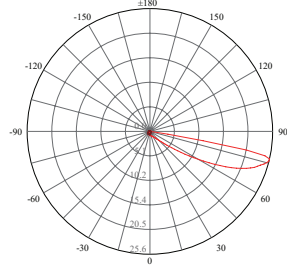
**IP65 IK06**  
RATING

**AL**  
HOUSING

**CE**  
RoHS  
COMPLIANCES

**DE-TB-RJB-Az<sup>x</sup>RCF**

Light Distribution Curve [Unit: cd]



**3W**  
POWER

**SMD LED**  
LED TYPE

2700K  
3000K  
4000K  
6000K  
CCT

**30°**  
BEAM ANGLE

**100 - 245V**  
INPUT VOLTAGE

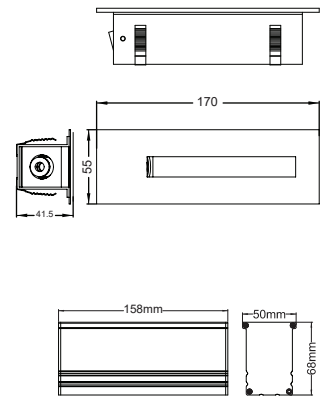
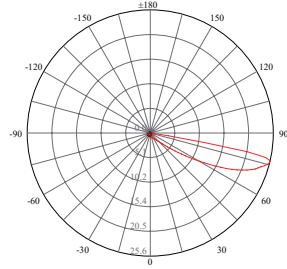
**IP65 IK06**  
RATING

**AL**  
HOUSING

**CE**  
RoHS  
COMPLIANCES

**DE-TB-RJB-Az<sup>x</sup>RCG**

Light Distribution Curve [Unit: cd]



**3W**  
POWER

**SMD LED**  
LED TYPE

2700K  
3000K  
4000K  
6000K  
CCT

**30°**  
BEAM ANGLE

**100 - 245V**  
INPUT VOLTAGE

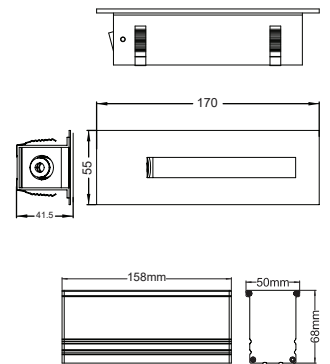
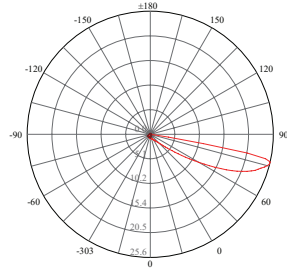
**IP65 IK06**  
RATING

**AL**  
HOUSING

**CE**  
RoHS  
COMPLIANCES

**DE-TB-RJB-Az<sup>x</sup>RCH**

Light Distribution Curve [Unit: cd]



**6W**  
POWER

**COB LED**  
LED TYPE

2700K  
3000K  
4000K  
6000K  
CCT

**24°, 36°**  
BEAM ANGLE

**12V**  
INPUT VOLTAGE

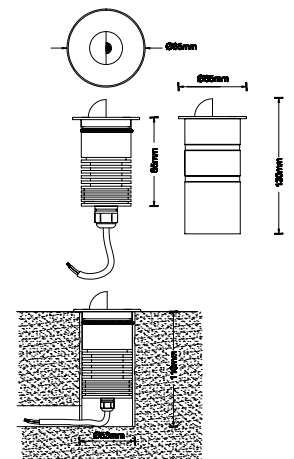
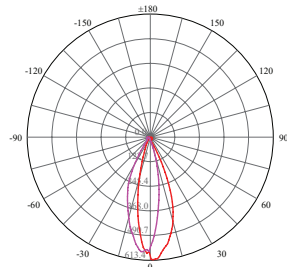
**IP67 IK08**  
RATING

**AL**  
HOUSING

**CE**  
RoHS  
COMPLIANCES

**DE-KB-BEJ-Az<sup>xy</sup>AB**

Light Distribution Curve [Unit: cd]



**8W**  
POWER

**SMD LED**  
LED TYPE

2700K  
3000K  
4000K  
5000K  
CCT

**120°**  
+120°  
BEAM ANGLE

**100 - 245V**  
INPUT VOLTAGE

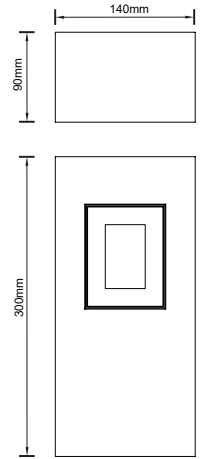
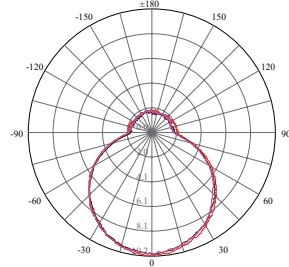
**IP65 IK06**  
RATING

**AL**  
HOUSING

**CE**  
RoHS  
COMPLIANCES

**DE-TB-dTE-AE x KCB**

Light Distribution Curve [Unit: cd]



**5W**  
POWER

**SMD LED**  
LED TYPE

2700K  
3000K  
4000K  
5000K  
CCT

**300°**  
\*5°  
BEAM ANGLE

**100 - 245V**  
INPUT VOLTAGE

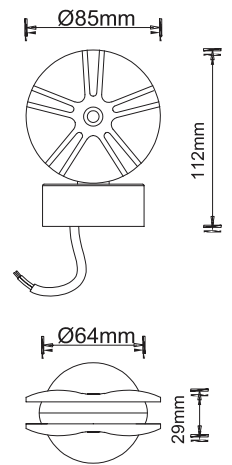
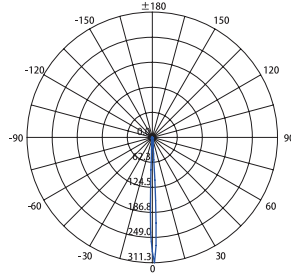
**IP66 IK06**  
RATING

**AL**  
HOUSING

**CE**  
RoHS  
COMPLIANCES

**DE-UB-3SL-AZ x A2CK**

Light Distribution Curve [Unit: cd]



**5W**  
POWER

**SMD LED**  
LED TYPE

RGB+WW  
/NW/CW  
CCT

**300°**  
X5°  
BEAM ANGLE

**24V**  
INPUT VOLTAGE

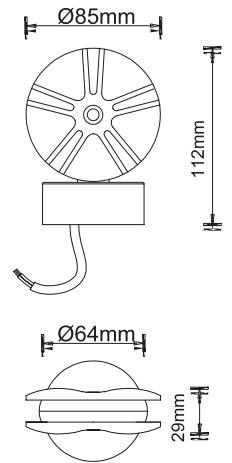
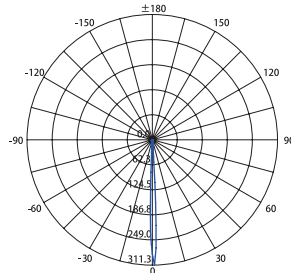
**IP66 IK07**  
RATING

**AL**  
HOUSING

**CE**  
RoHS  
COMPLIANCES

**DE-VB-3SL-AC x A2CK**

Light Distribution Curve [Unit: cd]



**5W**  
POWER

**SMD LED**  
LED TYPE

2700K  
3000K  
4000K  
5000K  
CCT

**150°**  
\*5°  
BEAM ANGLE

**24V**  
INPUT VOLTAGE

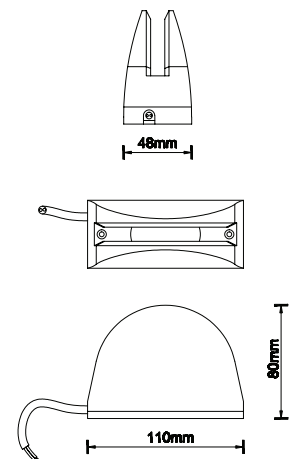
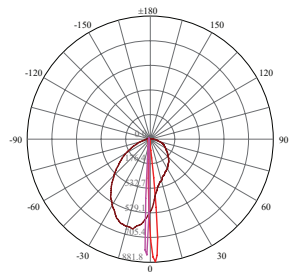
**IP67 IK10**  
RATING

**AL**  
HOUSING

**CE**  
RoHS  
COMPLIANCES

**DE-GB-VHL-AC x A3AH**

Light Distribution Curve [Unit: cd]



**3.5W**  
POWER

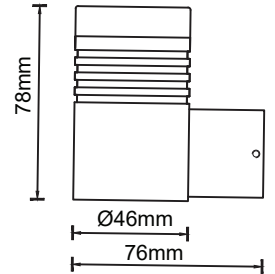
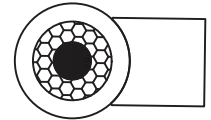
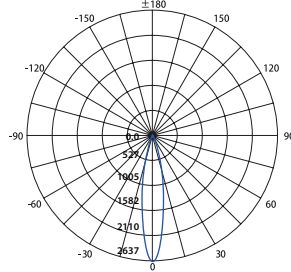
**COB LED**  
LED TYPE

**DE-WB-GHf-AE<sub>xy</sub>AG**

2700K  
3000K  
4000K  
6000K  
CCT

**15°, 24°,  
36°, 60°**  
BEAM ANGLE

Light Distribution Curve [Unit: cd]



**100 -  
245V**  
INPUT VOLTAGE

**IP65  
IK04**  
RATING

**AL**  
HOUSING

**CE**  
RoHS  
COMPLIANCES

**7W**  
POWER

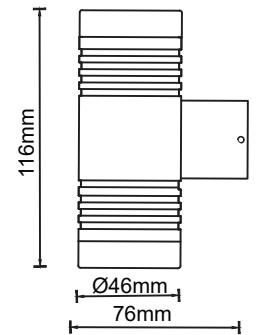
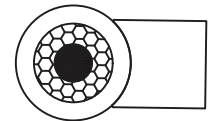
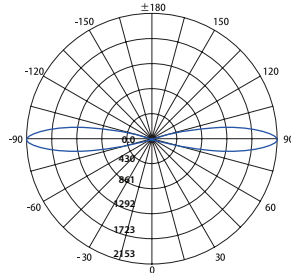
**COB LED**  
LED TYPE

**DE-WB-EHe-AE<sub>xy</sub>AG**

2700K  
3000K  
4000K  
6000K  
CCT

**15°, 24°,  
36°, 60°**  
BEAM ANGLE

Light Distribution Curve [Unit: cd]



**100 -  
245V**  
INPUT VOLTAGE

**IP65  
IK04**  
RATING

**AL**  
HOUSING

**CE**  
RoHS  
COMPLIANCES

**PRODUCT SPECIFICATION CODE**

- |                |                       |                    |
|----------------|-----------------------|--------------------|
| <b>X : CCT</b> | <b>Y : BEAM ANGLE</b> | <b>Z : VOLTAGE</b> |
| B=2700K        | C=15°                 | C=24VDC            |
| C=3000K        | Q=24°                 | D=12VDC            |
| D=4000K        | U=25°                 | E=100-245VAC       |
| E=6000K        | G=36°                 |                    |
| J=RED          | P=40°                 |                    |
| K=GREEN        | S=60°                 |                    |
| L=BLUE         |                       |                    |
| M=YELLOW       |                       |                    |
| T=RGB+3000K    |                       |                    |
| W=RGB+4000K    |                       |                    |
| S=RGB+6000K    |                       |                    |

Note :  
 All measurement datas are subjected to 10% tolerance due to measurement equipment tolerance and accuracy  
 Lumen maintenance factor : L70B50 @ normal room temperature (25 degree C)  
 All product specifications are subject to change without prior notice



